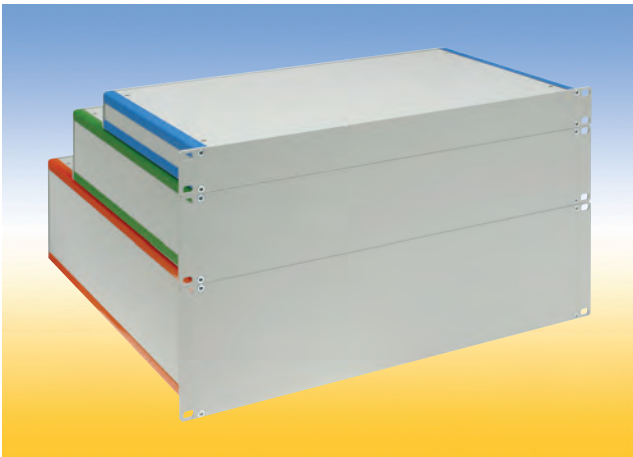


DiVar Housing



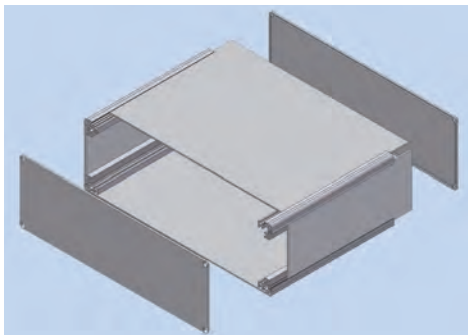
Painting examples of the DiVar housing

Technical Data

Material	aluminum
Finish	profiles: blank cover plates, front panel and side plates: front: anodized, rear: conductive

Delivery

The DiVar housing is delivered unassembled as individual parts or as a kit



DiVar housing as individual housing

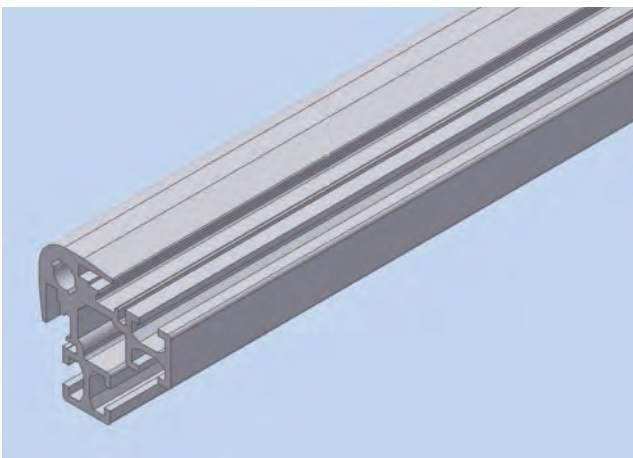
Description

The special design features of the DiVar housing:

- ✓ It consists of profiles into which aluminum, sheet steel, stainless steel or plastic panels with a thickness of 1.5 to 2.5 mm are inserted and, if desired, secured with screws. A wall panel at the rear and a panel at the front are screwed to the profiles.
- ✓ The flexible design allows variable configuration of the housing geometry in all three axes, this allowing adaptation of the housing to customer-specific requirements.
- ✓ Different surfaces can be selected for an individual appearance.
- ✓ The proven RFI contact spring concept ensures optimum RFI shielding.
- ✓ Rails with threaded holes can be pressed into the profile grooves, for example to screw in PCBs or mounting plates.
- ✓ The extensive range of Intermas accessories allows unrestricted configuration and installation of both standardized and non-standard components.

The housing can be supplied in 4 versions:

1. Customized housing
2. 19" rack mounted
3. Desktop housing with a keyboard area
4. Desktop housing with a continuous slanting surface



Multifunctional Profile DiVar

Material: aluminum
Finish: blank

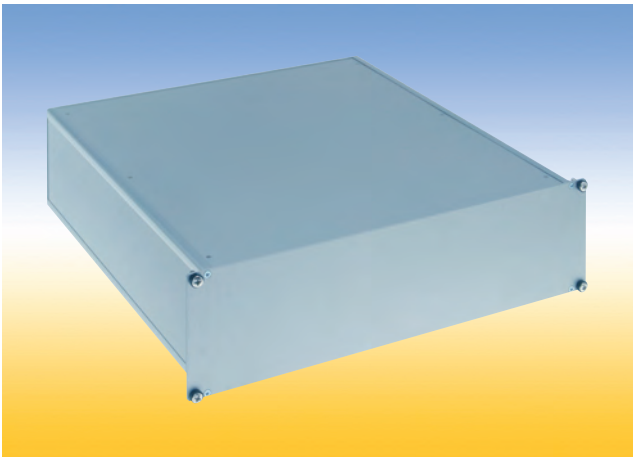
Length: 1000 mm

order no.: **409. 121 808**

Accessories

RFI-spring F3
Length: 399.64 mm

order no.: **409. 111 774**



DiVar Housing as rack mounted version

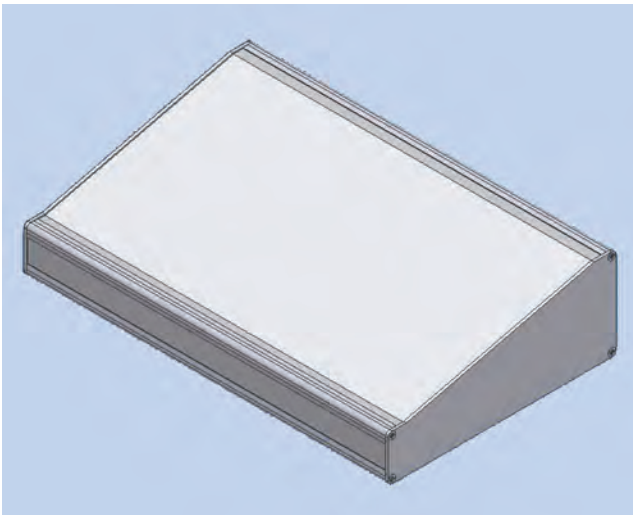
Delivery

- 4 profiles
- 4 cover plates
- 1 19" front panel
- 1 rear panel
- Assembly hardware

Ordering details

DiVar housing as rack mounted version

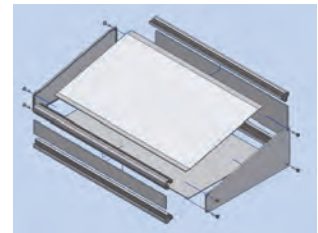
nom. height [U]	width [HP]	depth [mm]	order no. 409.
1	84	250	122 356
2	84	350	122 357
3	84	450	122 358



DiVar Desktop Housing

Delivery

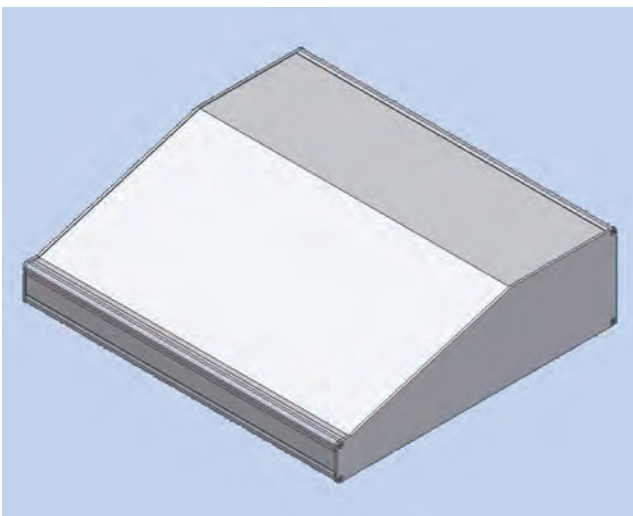
- 4 profiles
- 4 cover plates
- 2 side plates
- Assembly hardware



Ordering details

DiVar desktop housing

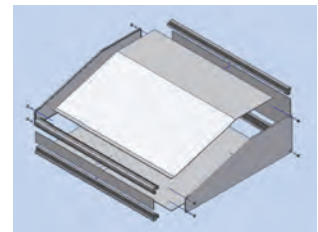
height [mm]	width [mm]	depth [mm]	order no. 409.
50/100	400	250	122 359



DiVar Desktop Housing with keyboard area

Delivery

- 4 profiles
- 4 cover plates
- 2 side plates
- Assembly hardware



Ordering details

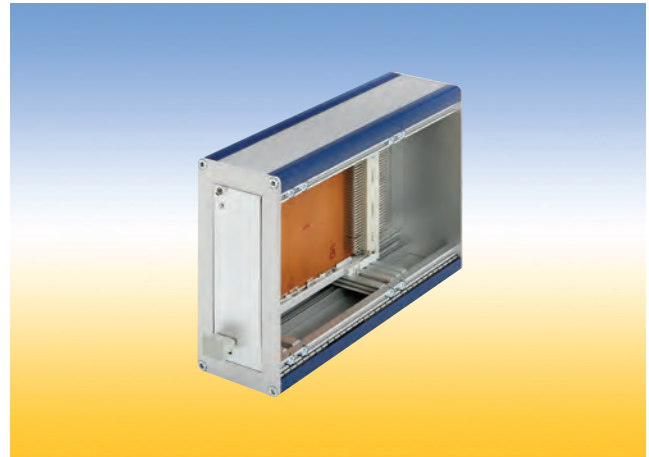
DiVar desktop housing with keyboard area

height [mm]	width [mm]	depth [mm]	order no. 409.
50/120	450	250/150	122 360

DiVar Housing Examples



DiVar housing as covered subrack 3 U - 84 HP - 160 mm depth



DiVar housing as covered cassette 3 U - 8 HP - 160 mm depth



DiVar housing for instrumentation

Please ask your local representative for your
individual configuration.
You find your contact person on our homepage:
www.intermas-el.com