

System Cabinet *InterRack*[®]

System Cabinet *InterRack*

A sophisticated, systematically constructed cabinet system for electrical engineering applications, e.g. as:

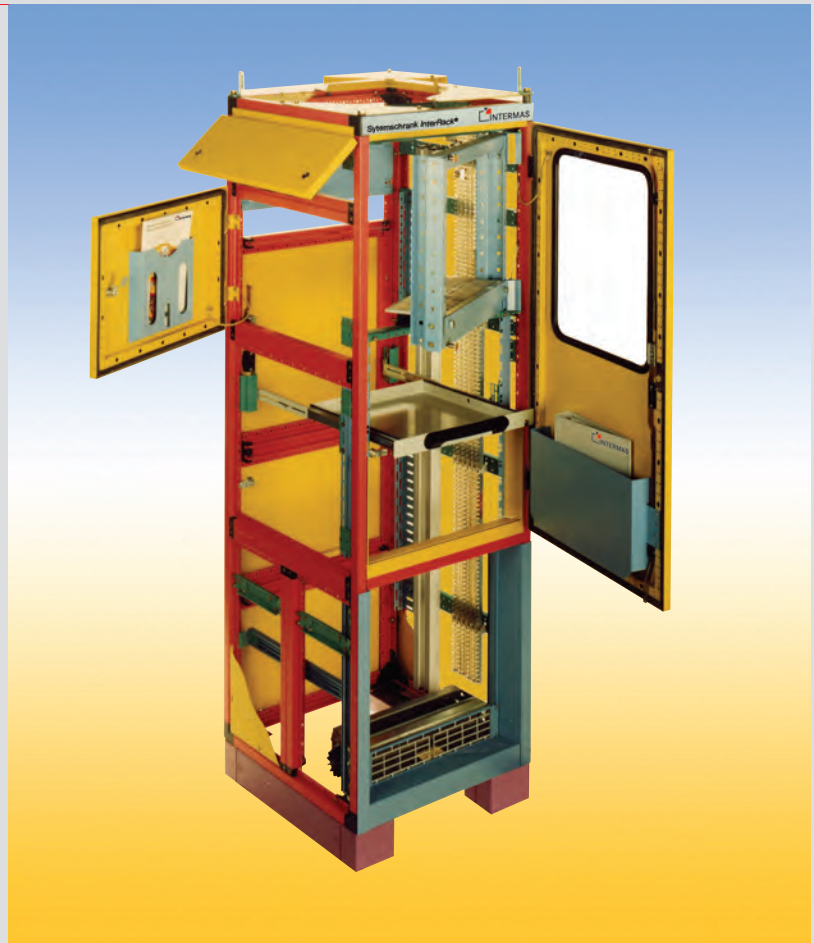
- ✓ a universal 19" cabinet
- ✓ a low-voltage cabinet
- ✓ a data and network cabinet

Also excellently suitable for your own designs or special solutions, e.g. as:

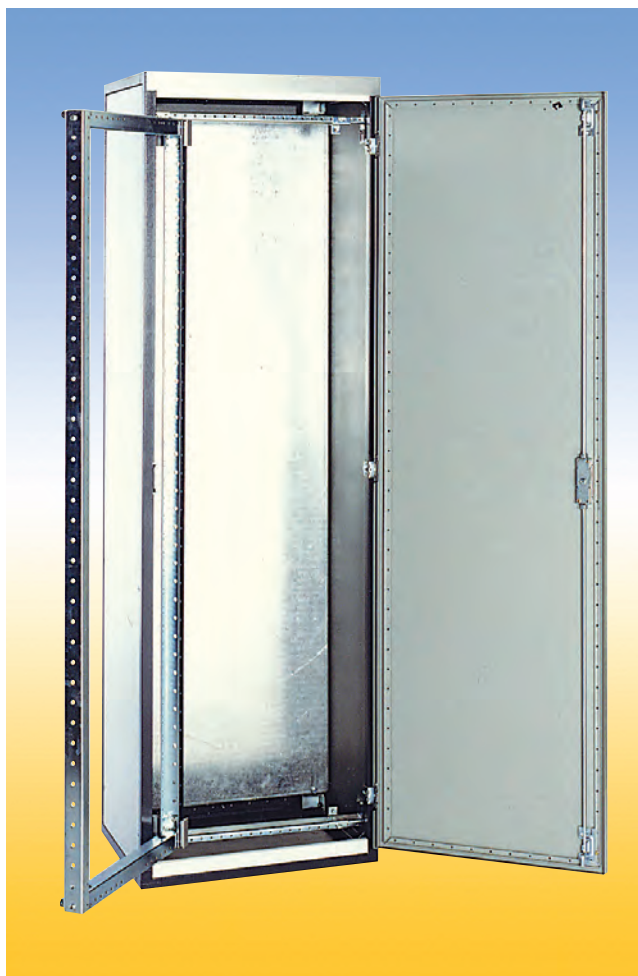
- ✓ a training cabinet
 - ✓ for patch panels
- or in
- ✓ maintenance and control engineering
 - ✓ military technology
 - ✓ traffic engineering

In short:

This cabinet meets all your requirements and desires.



System Cabinet *InterRack*[®]



Description

The InterRack system cabinet is made of steel and is easy to assemble using screws. Profiles and paneling elements are galvanized. The customer can choose between two colors of paint finish.

The rack variants and assembly elements provide the capacity for individual configuration.

Protection classes IP 40 and IP 54 are achieved thanks to the use of silicon-free seals.

The cabinet stands out due to its enormous flexibility of the configuration and extension options.

- ✓ Consistent implementation of the system pattern allows interior fittings in 25 mm steps.
- ✓ Easily incorporated into CAE and CAD-supported development projects.
- ✓ Each level can be used for assembly using only a few system elements.
- ✓ Self-tapping screws allow simple and fast assembly and dismantling and ensure tight and electrically conductive connections.
- ✓ Conducting surfaces and the replaceable system elements ensure excellent EMC characteristics.

Delivery

As a completely assembled and painted cabinet. Unassembled components on request.

Technical Data

Standards	compliant with DIN 41 488, IEC 60 297-1 and 2, IEC 60917
External dimensions	DIN 41 488, p.2
Width grid	interior fittings in a 25 mm grid, external dimensions in a 50 mm grid
Depth grid	interior fittings in a 25 mm grid, external dimensions in a 50 mm grid
Material	loading profiles and corner connectors: aluminum other parts: galvanized steel
Finish	standard: RAL 7032 or as required by the customer
Protection class	compliant with DIN 40050 IP 40 and IP 54 contact protection in accordance with VDE 0160
Utilization category	-25 °C, +70 °C, 75% relative humidity
Protective grounding	all metal parts are electrically bonded to one another following assembly in accordance with VDE 100/12.65, § 6 Nb



Cabinet example

- ✓ Rack A
- ✓ Mounting plate
- ✓ Frontdoor, right opening
- ✓ Rear panel
- ✓ Base panel
- ✓ Top panel closed
- ✓ Swing handle
- ✓ 130° hinges
- ✓ With side panel protection class IP 40



Sealing of the door



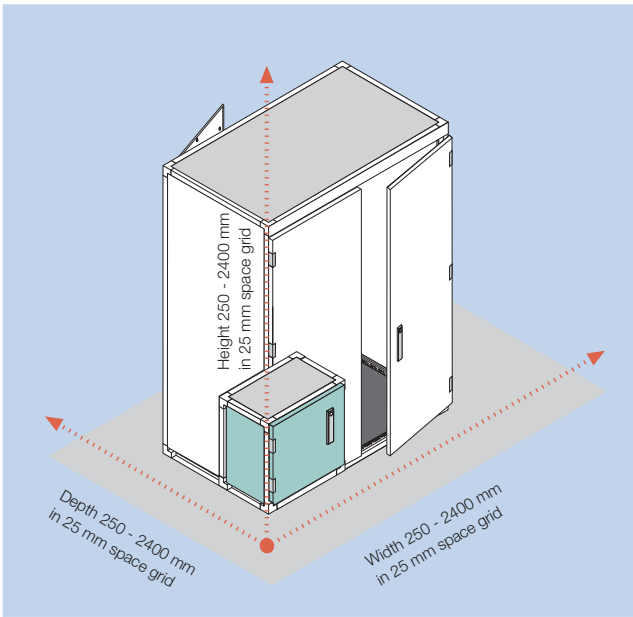
Sealing of the paneling parts

Sealing of the system cabinet *InterRack* to protection class IP 54



RFI-shielding of the door of the system cabinet *InterRack*

Configuration



Configuration System Cabinet *InterRack*

Cabinet	pieces _____
Rack	<input type="checkbox"/> version A <input type="checkbox"/> version B <input type="checkbox"/> version C <input type="checkbox"/> version D height: _____ mm width: _____ mm depth: _____ mm
Color rack	RAL _____
Color paneling parts	RAL _____
Side panel	<input type="checkbox"/> left <input type="checkbox"/> right <input type="checkbox"/> adding: <input type="checkbox"/> left <input type="checkbox"/> right
Rear panel	<input type="checkbox"/>
Door opening	<input type="checkbox"/> front <input type="checkbox"/> left <input type="checkbox"/> right <input type="checkbox"/> rear <input type="checkbox"/> left <input type="checkbox"/> right
Double door	<input type="checkbox"/> front <input type="checkbox"/> rear
Hinges	<input type="checkbox"/> 130 degree <input type="checkbox"/> 180 degree

Door lock	<input type="checkbox"/> swing handle <input type="checkbox"/> key plate <input type="checkbox"/> dummy element <input type="checkbox"/> square <input type="checkbox"/> double bit 3 mm <input type="checkbox"/> double bit 5 mm <input type="checkbox"/> short cylinder keyed alike
Top panel	<input type="checkbox"/> closed <input type="checkbox"/> labyrinth <input type="checkbox"/> perforated <input type="checkbox"/> raised
Base panel	<input type="checkbox"/> closed <input type="checkbox"/> divided -
Mounting plate	<input type="checkbox"/> galvanized <input type="checkbox"/> color RAL _____
Hinged frame	opening: <input type="checkbox"/> left <input type="checkbox"/> right <input type="checkbox"/> 130 degree <input type="checkbox"/> 180 degree
19" unit support	<input type="checkbox"/> front <input type="checkbox"/> rear
Protection class	<input type="checkbox"/> IP _____
RFI-shielded	<input type="checkbox"/>
Accessories	<input type="checkbox"/> Adaptor <input type="checkbox"/> Logo strip <input type="checkbox"/> Base <input type="checkbox"/> Document box <input type="checkbox"/> Universal angle piece _____ <input type="checkbox"/> U-strut piece _____ <input type="checkbox"/> Lifting eye (kit with 4 pieces)
Notes	_____ _____ _____

Please ask your local representative for your **individual configuration.**
 You find your contact person on our homepage:
www.intermas-el.com

Rack construction

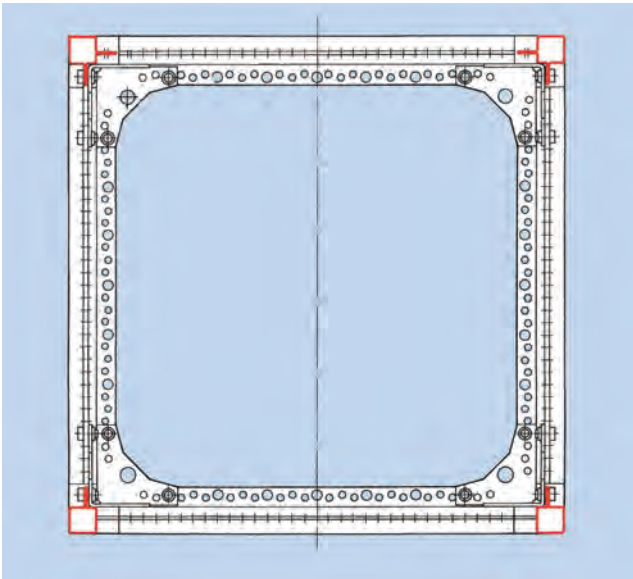
The rail profiles are rolled from galvanized sheet steel. This ensures optimal corrosion protection, including the cut edges.

Two versions of rail profiles are available, rail profile W and rail profile V.

Plug-in corner connectors made of die-cast aluminum ensure stable connection in all three axes.

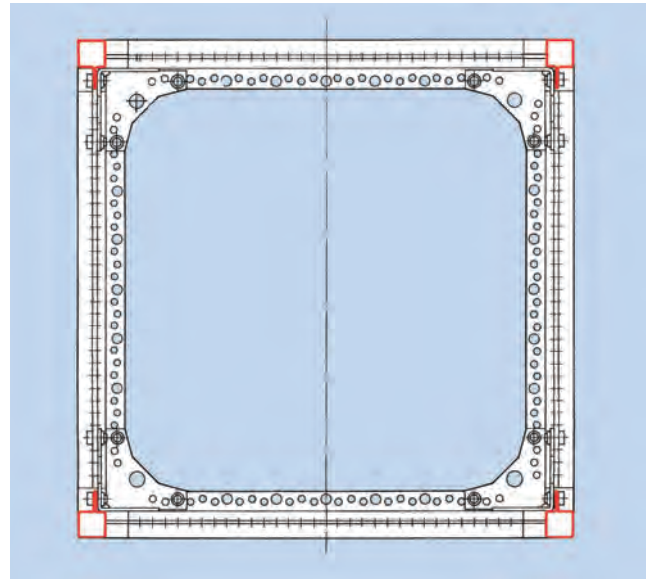
The rail profiles are then screwed to the gusset plate.

This method of construction allows assembly of any cabinet rack with an edge length of 250 to 2400 mm. Individual switch racks or patch panels can also be constructed just as easily.



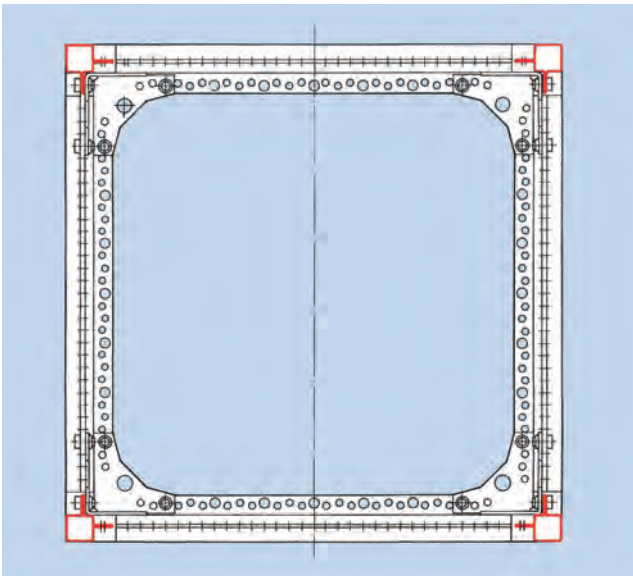
Rack version A

for stand alone cabinets with front door.



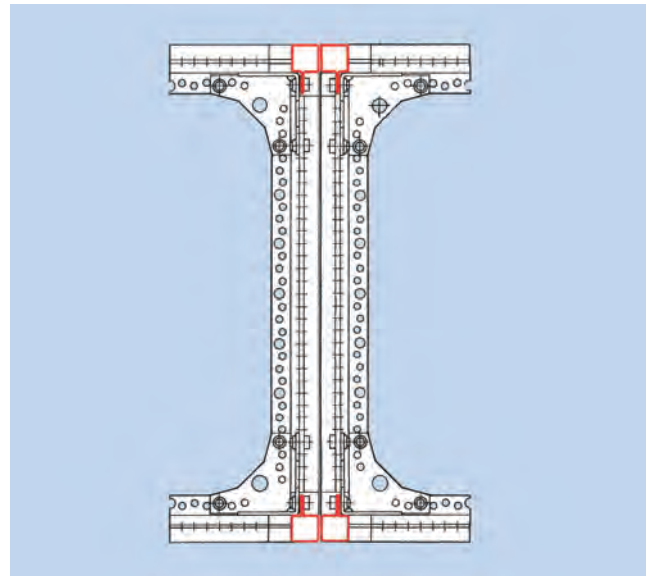
Rack version B

for stand alone cabinets with front and rear door.



Rack version C

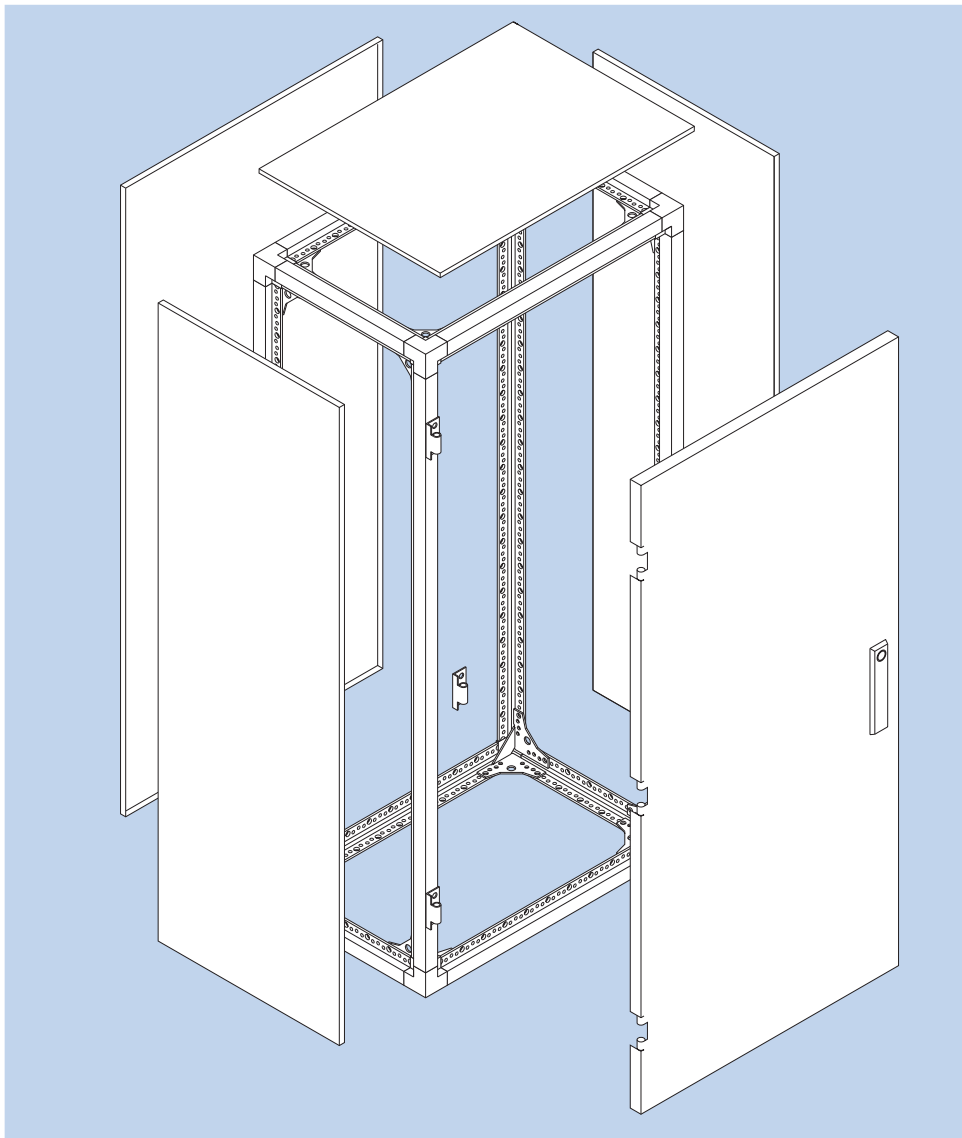
for protected and separated regions, all sides prepared for covering panels.



Rack version D

for frame type switchboards and distribution jumper rings.

System Cabinet *InterRack*®



Ordering details system cabinet

	height [mm]	width [mm]	depth [mm]	1 front door order no. 409.	1 front door 1 rear door order no. 409.	double door order no. 409.
<i>InterRack</i> 1200 x 1000 x 400	1200	1000	400	-	-	166 261
<i>InterRack</i> 2000 x 600 x 500	2000	600	500	166 262	166 263	166 264
<i>InterRack</i> 2200 x 900 x 600	2200	900	600	166 265	-	166 266

Delivery

	quantity per kit 1 door	quantity per kit 2 doors	quantity per kit double door
Rack	1	1	1
Door front/rear (130°) Hinges 130°, left opening	1	2	1
Side panels	2	2	2
Rear panel	1	-	1
Top panel closed	1	1	1
Swing handle	1	2	2

Rail Profiles

The rail profiles are rolled from galvanized sheet steel. This ensures optimal protection against corrosion including the cut edges. Two Versions of rail profile are available.

Rail profile V

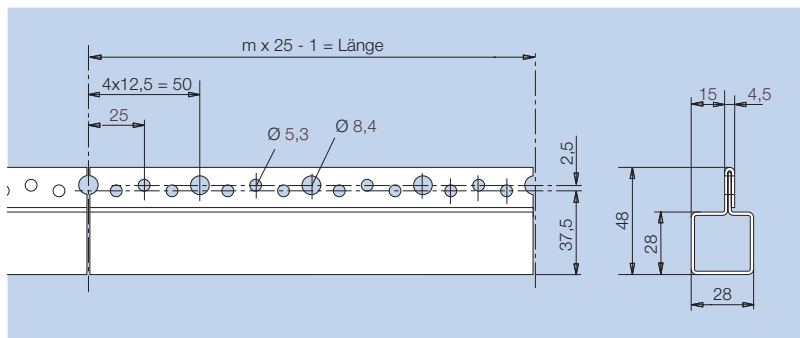
Rail profile W

Material: steel

Finish: galvanized

Finished length for rail profiles

rack-nom. width [mm]	length [mm]	m = number space grid
400	299	12
500	399	16
600	499	20
900	799	32
1000	899	36
1200	1099	44
2000	1899	76
2200	2099	84

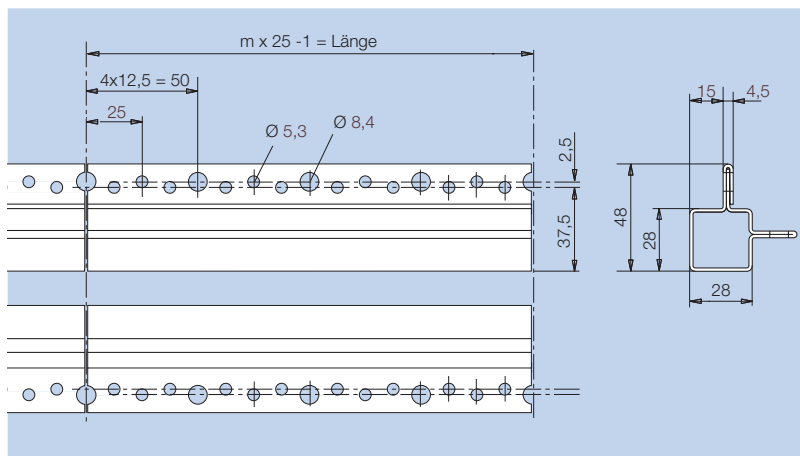


Rail Profile V

For use as height profile and diving profile.

Length: 6360 mm

order no.: **409. 074 056**



Rail Profile W

For use as height, depth, width profile and dividing profile

Length: 6360 mm

order no.: **409. 074 057**

Corner Connector, Gusset Plate A and B, 19"-Unit Support



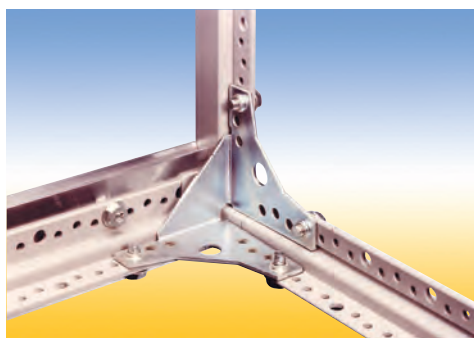
Corner Connector

For connecting the rear profiles.

Material: aluminum die casting

Finish: untreated

order no.: **409. 050 688**



Gusset Plate A

For fastening the rack corner.

Material: steel

Finish: galvanized, passivated

order no.: **409. 131 354**

Accessories

Cylinder head screw M 8 x 14

(Torx T40) DIN 7500

Minimum order quantity: 10 pieces

order no.: **409. 132 778**



Gusset Plate B

For fastening the rack corner.

To get maximum free space for assemblies and for fastening with screws M 8.

Material: steel

Finish: galvanized, passivated

order no.: **409. 167 416**



19"-Unit Support

Are mounted vertically, depth variable in 25-mm-space grid.

For mounting of 19"-equipment.

Material: steel

Finish: galvanized, passivated

Ordering details

	for cabinet-height [mm]	length [mm]	order no.
19"-unit support 2000	2000	1866.45	078 641
19"-unit support 2200	2200	2044.70	078 646

U-Strut, Universal Angle, Door Hinge 180°



U-Strut

As support for unit support and fixtures in 25-mm-space grid.

2 versions are available:

1. For mounting from outside the cabinet.
2. For mounting from inside the cabinet.

This version is especially suitable for later installations.

Material: steel, 3 mm thick

Finish: galvanized, passivated

Ordering details

	for cabinet- depth/width [mm]	outside order no. 409.	inside order no. 409.
U-Strut 400	400	049 677	132 601
U-Strut 500	500	049 679	132 603
U-Strut 600	600	049 680	132 604
U-Strut 800	800	049 681	132 605
U-Strut 900	900	049 682	132 606

Accessories

Hexagon Head Screw M 6 x 12

Minimum order quantity: 10 pieces

order no.: **409. 050 567**



Universal Angle

To fastening of 19"-unit support and accessories.

Material: steel, 3 mm thick

Finish: galvanized, passivated

order no.: **409. 132 240**

Accessory

Hexagon Head Screw M 6 x 12

Minimum order quantity: 10 Pieces

order no.: **409. 131 550**



Door Hinge 180°

with a 180° opening angle.

Material: aluminum

Finish: black anodized

Delivery:

3 hinges, 3 hinge pins

Mounting parts

order no.: **409. 069 369**

Standard Adaptor, Lifting Eye, Document Box, Custom Logo Strip for Cabinets



Standard Adaptor Kit

To bolt together additional cabinets.

Material: steel
Finish: galvanized, passivated
Delivery: 8 threaded spacers
 Mounting parts

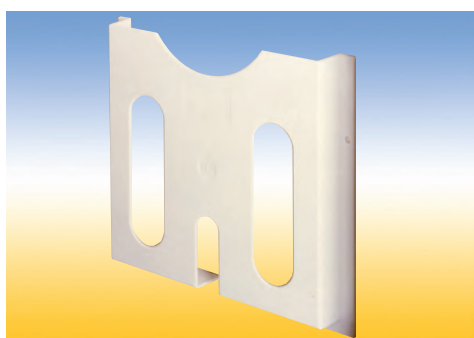
order no.: **409. 132 464**



Lifting Eye Kit

Material: steel
Finish: galvanized, passivated
Delivery: 4 lifting eyes
 Mounting parts

order no.: **409. 132 735**

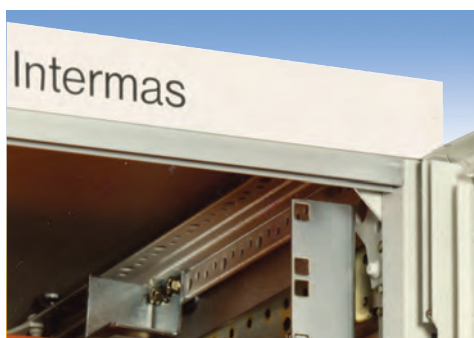


Document Box

DIN A4, upright, self adhesive

Material: Polystyrene, shock resistant
Finish: RAL 9002

order no.: **409. 068 760**



Custom Logo Strip

For the rack above the door.

Self adhesive

Material: aluminum 2 mm thick
Finish: anodized (paintable and printable)

Ordering details

	length [mm]	order no. 409.
Custom logo strip 600	594	049 668
Custom logo strip 900	894	049 670
Custom logo strip 1000	994	069 302