

---

## **InterMeZo Housing**

- ✓ Design front
- ✓ Functional front
- ✓ Variable in three dimensions
- ✓ Can be RFI-shielded
- ✓ Mechanical protection up to IP 54



---

## **InterCase Desktop Housing**

- ✓ Easy construction
- ✓ Service friendly
- ✓ Variable dimensions
- ✓ Can be RFI-shielded



---

## **InterLock Housing**

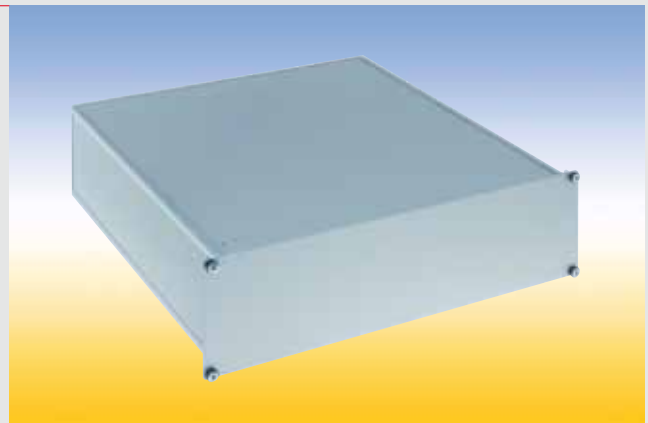
- ✓ Covering of subracks
- ✓ Easy mounting without screws



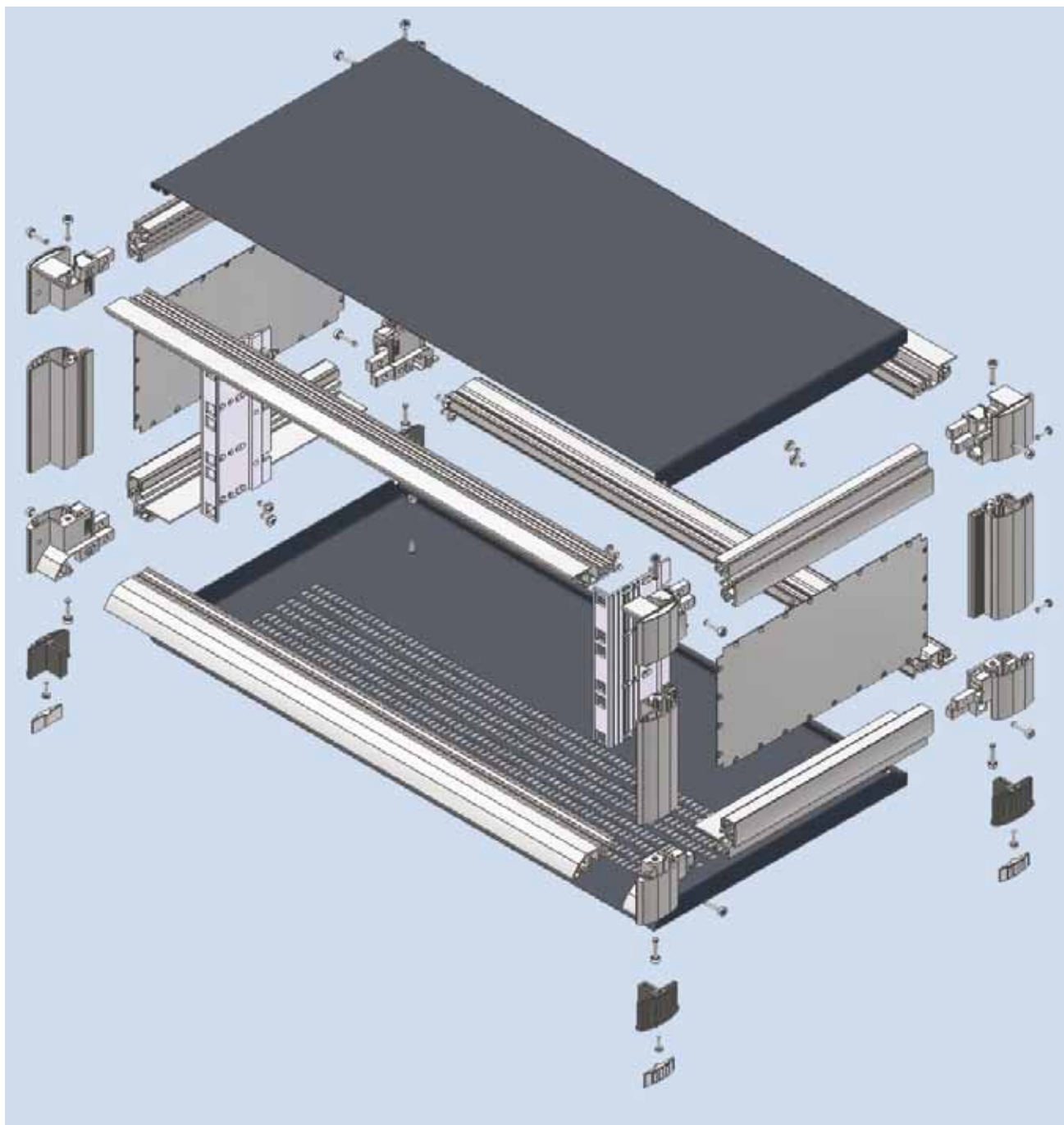
---

## **DiVar Housing**

- ✓ 19" rack mounted for customized housing
- ✓ Unrestricted configuration and installation
- ✓ Cover plates removable



# InterMeZo Housing



## Requirements

A modern housing flexible in its applications, with a modular design, can be RFI-shielded and ventilated, in an attractive design and at a reasonable price: InterMeZo

## Construction

### 1. Housing frame

The InterMeZo housing is based on a framework construction consisting of profiles and corner connectors. This flexible design also enables fast and cost-effective assembly of individual housing sizes

### 2. Easy to access

For quick access to the installed electronics the cover plates are pressed into profiled grooves and secured with two screws.

### 3. RFI shielding

The side walls are pressed into profile grooves; contact elements ensure RFI-shielded bonding. To achieve effective protection of the housing against dust and water the cover panels, the rear wall and the door can all be fitted with seals.

#### 4. Mechanical sealing

To achieve effective protection of the housing against dust and water the cover panels, the rear wall and the door can all be fitted with seals.

#### 5. Recessed grips

Grips for easy transportation are formed by the recessed mounting of the side walls.

#### 6. Equipment supports

Subracks can be installed variably as the housing depth permits.

#### 7. Chassis panels

The depth profiles are provided with grooves in which chassis panels or similar can be fitted at any depth with the aid of spring nuts.

### Summary

The InterMeZo housing from InterMas is a modular and cost-effective housing solution for high-quality industrial electronics in a visually attractive design, developed for the highest possible flexibility and simplest possible assembly, with expansion capabilities for more demanding needs, compliant with stringent EMI/ESD protection specifications, and with extensive configuration options to fulfil application-specific requirements.

### Technical data

Materials	casing: aluminum profiles
	corner connectors: die-cast zinc
Finish	feet: ABS
	other parts: 0.8 mm galvanized sheet steel
Finish	standard for rear wall and cover panels: painted dark gray (RAL DS 5500)
	standard for casing and side walls: painted light gray (RAL DS 7000)
	feet: dark gray

### Versions

The *InterMeZo housings* are available to assembly 19"- or metric subracks. Alternatively, any dimensions for variable applications are possible.

For all versions the possibility exists to choose between the following types.



#### 1. Design front

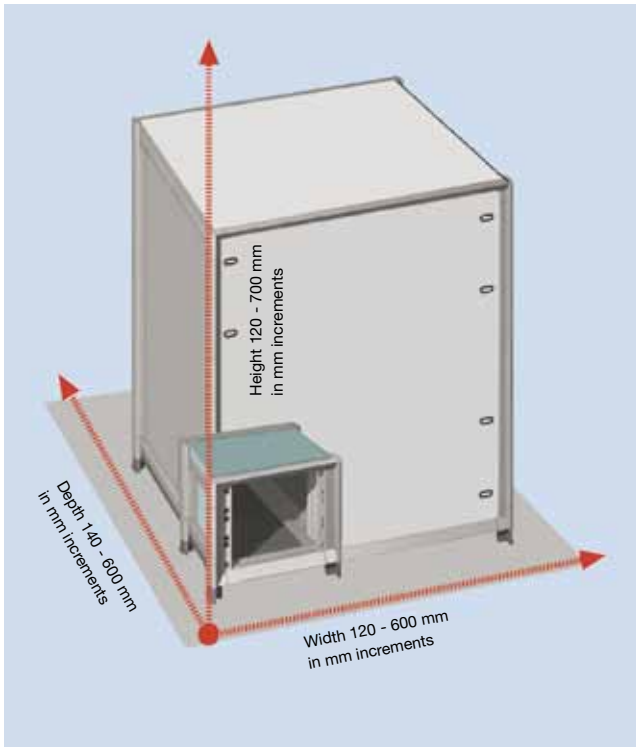
This version has been constructed in terms of a harmonic front design for use with a wide range of applications.



#### 2. Functional front

For higher protection against dust and water as well as EMC shielding.

# InterMeZo Housing Configuration

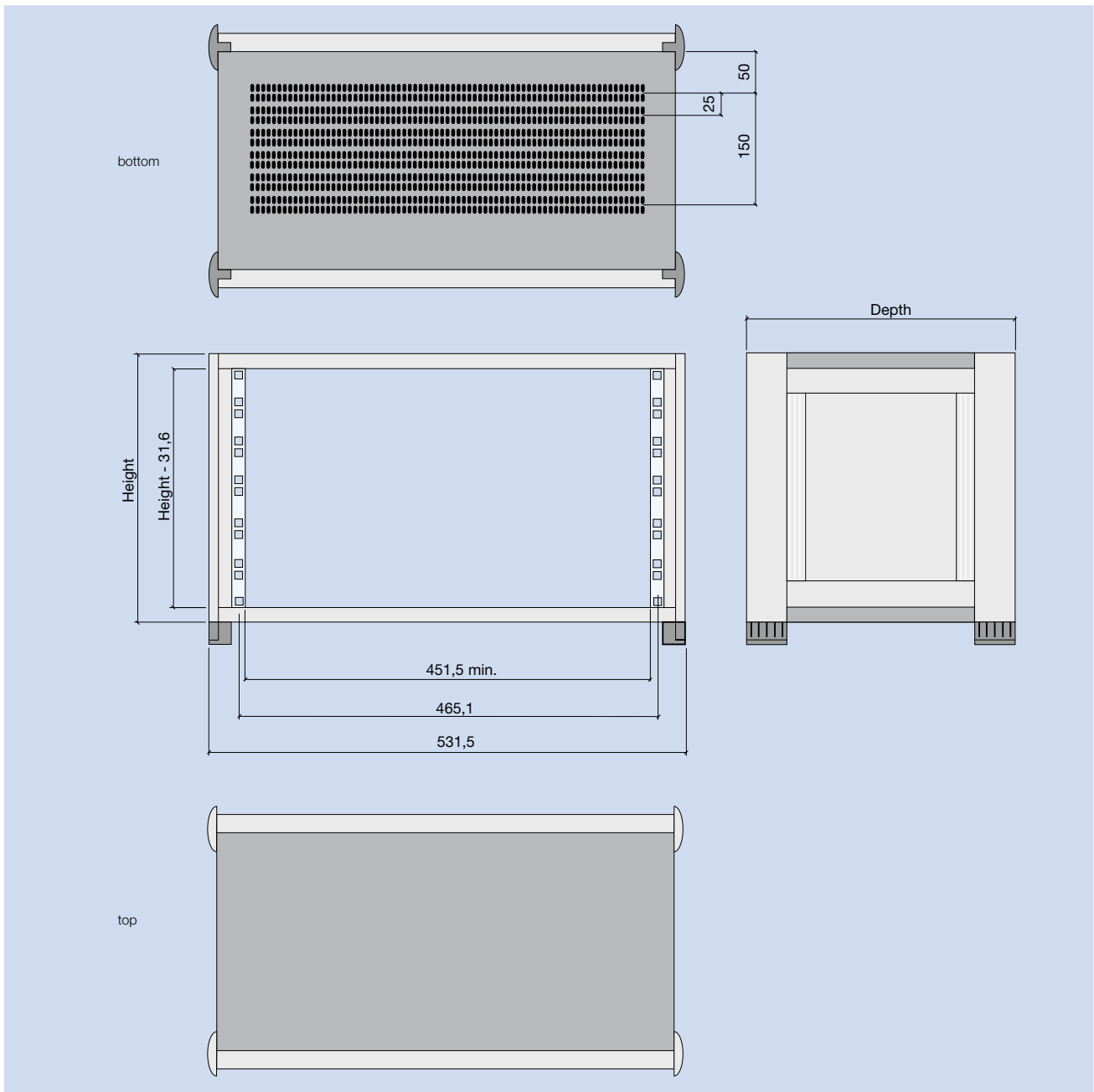


## Configuration *InterMeZo* Housing

<b>Housing</b>	pieces _____
<b>Dimension</b>	height: <input type="checkbox"/> 3 U <input type="checkbox"/> 6 U
	width: <input type="checkbox"/> 84 HP <input type="checkbox"/> 42 HP
	depth: <input type="checkbox"/> 300 mm <input type="checkbox"/> 400 mm <input type="checkbox"/> 500 mm
	<input type="checkbox"/> other: height: ____ U or _____ mm width: ____ HP or _____ mm depth: _____ mm
<b>Design</b>	<input type="checkbox"/> design front <input type="checkbox"/> front <input type="checkbox"/> rear
	<input type="checkbox"/> functional front <input type="checkbox"/> front <input type="checkbox"/> rear
<b>Color casing, side wall</b>	<input type="checkbox"/> RAL DS 7000 <input type="checkbox"/> RAL _____
<b>Color rear wall, panels</b>	<input type="checkbox"/> RAL DS 5500 <input type="checkbox"/> RAL _____
<b>Louvers in</b>	<input type="checkbox"/> bottom panel <input type="checkbox"/> top panel <input type="checkbox"/> rear panel

<b>Front</b>	<input type="checkbox"/> Casing door <input type="checkbox"/> Plexiglass door <input type="checkbox"/> Front panel <input type="checkbox"/> anodized <input type="checkbox"/> RAL _____
<b>19" unit support</b>	<input type="checkbox"/> front <input type="checkbox"/> rear
<b>Protection class</b>	<input type="checkbox"/> IP _____
<b>RFI-shielding</b>	<input type="checkbox"/>
<b>Accessories</b>	<input type="checkbox"/> Rear panel <input type="checkbox"/> Wheels <input type="checkbox"/> Carry handles <input type="checkbox"/> Side bars <input type="checkbox"/> Subplate <input type="checkbox"/> Mounting material for subrack and front panels kit _____ pieces
<b>Notes</b>	_____ _____ _____

Please ask your local representative for your **individual system configuration.**  
You find your contact person on our homepage:  
[www.intermas-el.com](http://www.intermas-el.com)



## Ordering details for assembled *InterMeZo* housings

nom. height [U]	height [mm]	width [mm]	depth [mm]	design-front order no. 409.	functional-front order no. 409.
3	165.60	531.50	300	<b>166 208</b>	-
3	165.60	531.50	400	<b>166 209</b>	<b>166 217</b>
4	210.05	531.50	400	<b>166 210</b>	-
6	298.95	531.50	400	<b>166 211</b>	<b>166 218</b>
6	298.95	531.50	500	<b>166 212</b>	-
7	343.40	531.50	400	<b>166 213</b>	-
9	432.30	531.50	400	<b>166 214</b>	<b>166 219</b>
9	432.30	531.50	500	<b>166 215</b>	-
12	565.65	531.50	500	<b>166 216</b>	<b>166 220</b>

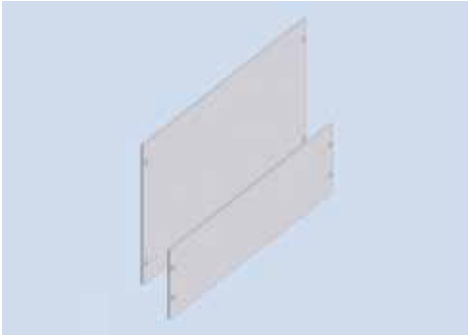
### Delivery:

Housing frame with side panels, top closed, bottom panel with louvers 4 feet, 2 unit supports

### Delivery:

The housing is delivered assembled and painted.

# InterMeZo Housing Accessories



## 19"-Front Panels

**Material:** aluminum 3 mm thick  
**Finish:** anodized

### Ordering details for 19"-front panels

nom. height [U]	order no.
	<b>409.</b>
3	<b>086 513</b>
4	<b>086 514</b>
6	<b>086 516</b>
7	<b>086 517</b>
9	<b>086 519</b>
12	<b>086 522</b>



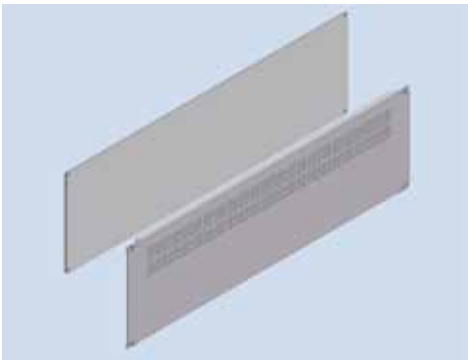
## 19" Casing Door

Kit consists of:  
 1 casing door with plexiglass pane  
 1 lock  
 2 hinges  
 Installation hardware

**Delivery:**  
 As complete assembled casing door.

### Ordering details for 19"-casing door

nom. height [U]	order no.
	<b>409.</b>
3	<b>110 452</b>
4	<b>110 453</b>
6	<b>110 454</b>
7	<b>110 455</b>
9	<b>110 456</b>
12	<b>110 457</b>



## Rear Panel, closed

**Material:** aluminum 2.5 mm thick  
**Finish:** front side anodized, rear side conductive

## Rear Panel with Louvers

**Material:** steel 0.8 mm thick  
**Finish:** front side RAL DS 5500, rear side conductive

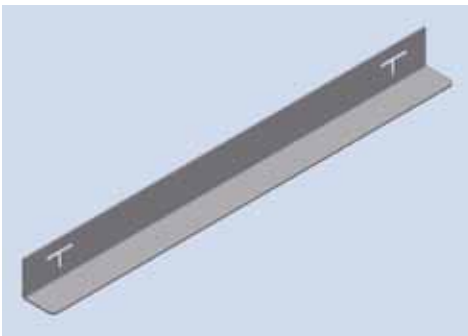
### Ordering details rear panel

nom. height [U]	closed	with louvers
	order no.	order no.
	<b>409.</b>	<b>409.</b>
3	<b>109 984</b>	<b>111 556</b>
4	<b>109 985</b>	<b>111 557</b>
6	<b>109 986</b>	<b>111 559</b>
7	<b>109 987</b>	<b>111 560</b>
9	<b>109 988</b>	<b>111 561</b>
12	<b>110 392</b>	<b>111 562</b>

### Accessories

#### Taptite screw M4x10

Minimum order quantity 100 pieces  
 order-no.: 409. 110 395



## Slide Bars

Kit consists of:  
 2 slide bars  
 Installation hardware

**Material:** 1.5 mm galvanized sheet steel

**Finish:** colorless chromated

### Ordering details kit

	for housing-depth [mm]	order no.
		<b>409.</b>
slide bar	300	<b>111 285</b>
slide bar	400	<b>111 286</b>
slide bar	500	<b>111 287</b>



### RFI-Shielding

**Material:** stainless steel

#### Ordering details RFI-shielding-kit for rear/front panel

nom. height [U]	order no.
	<b>409.</b>
3	<b>110 360</b>
6	<b>110 361</b>
9	<b>110 366</b>
12	<b>110 367</b>

#### Ordering details RFI-shielding-kit for cover plates

depth [mm]	order no.
	<b>409.</b>
300	<b>110 368</b>
400	<b>110 370</b>
500	<b>110 372</b>



### Unit Support

Kit consists of:  
2 unit supports and  
Installation hardware

#### Ordering details for unit support kit

nom. height [U]	order no.
	<b>409.</b>
3	<b>110 375</b>
4	<b>110 376</b>
6	<b>110 378</b>
7	<b>110 379</b>
9	<b>110 381</b>
12	<b>110 382</b>



### Mounting material for subracks and front panels in housing

#### Screw Locking M6

**Color:** black  
**Material:** POM

Minimum order quantity 10 pieces

order no.: **409. 074 387**

#### Oval Head Screw

**M6 x 16** DIN 7985  
steel, nickel plated

Minimum order quantity 10 pieces

order no.: **409. 013 919**

#### Cage Nut

steel, galvanized

Minimum order quantity 10 pieces

order no.: **409. 131 652**



### Castors

Kit consists of:  
2 mounting angles  
4 castors  
Installation hardware

#### Ordering details for castor kit

	housing- depth [mm]	order no.
		<b>409.</b>
castors 300	300	<b>112 092</b>
castors 400	400	<b>112 093</b>
castors 500	500	<b>112 094</b>

Castors are not retrofit.  
Please order with housing.



### Carry Handles

Kit consists of:  
2 handles  
Installation hardware

**Color:** RAL DS 7000

order no.: **409. 112 507**