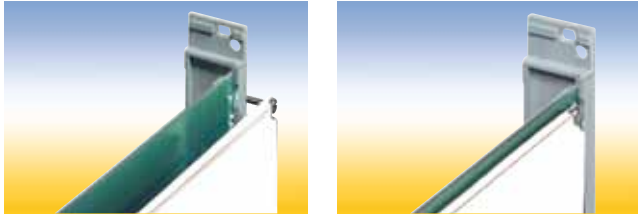


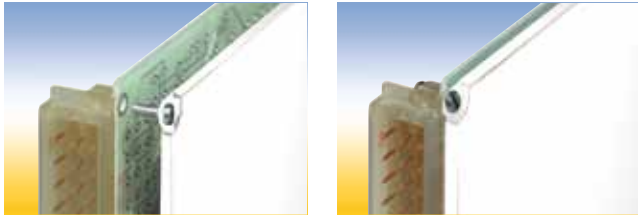
# Cover for Euroboards

## Description

This PCB cover protect the soldered side against dirt and contact. Two versions are available: A standard PCB cover and a PCB cover for use with a coding strip. The coding strip PCB cover can be used in connection with a coding strip on the connector.



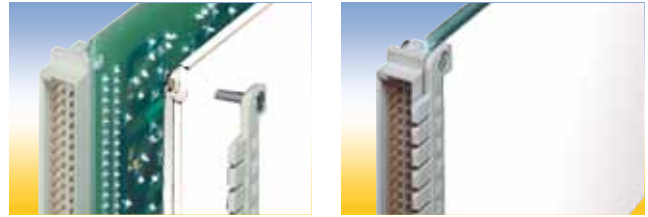
Mounting of PCB cover standard at the front panel



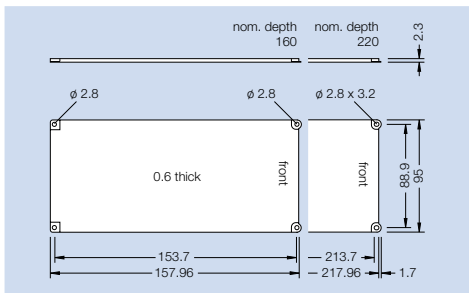
Mounting of PCB cover standard at side of the connector

## Technical data

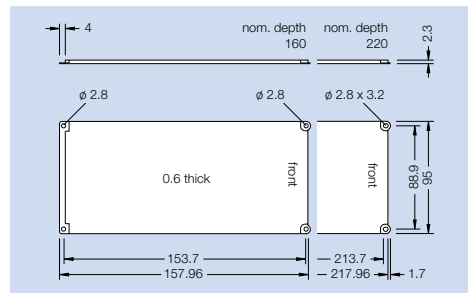
Material	PBT (Polyester)
Continuous temperature	-40 °C to +100 °C
Fire protection class	UL 94 V-0 at 0.8 mm
Color	white



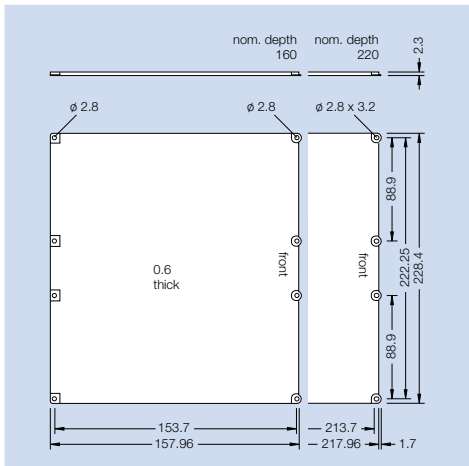
Mounting of PCB cover for coding strip jammed under the recess of the coding strip



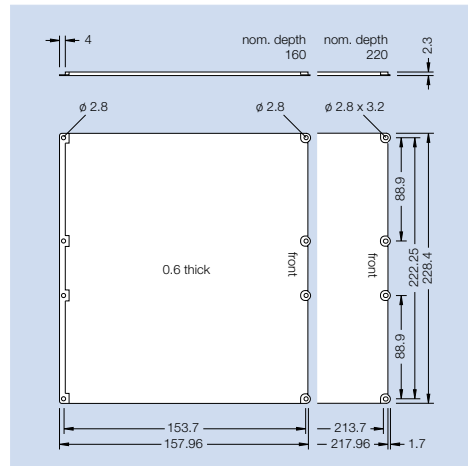
PCB cover standard 3U



PCB cover for coding strip 3U



PCB cover standard 6U



PCB cover for coding strip 6U

## Ordering details

	PCB height [mm]	standard order no. 409.	coding strip order no. 409.	Metallized PCB cover on request.
Cover for Euroboards				
3-160	100	100 652	100 650	
3-220	100	100 662	100 660	
6-160	233.35	102 110	102 109	
6-220	233.35	102 113	102 112	