

Connectors

Coding key for IEC 60 603-2 / DIN 41 612 connectors

Since this catalog not only contains DIN 41612 connectors but also connectors which supplement the standard, the coding key has been extended accordingly.

Ordering example

Female connector **C 0 6 4 M S - C 1 A - 1 A U - A 0 1**

Connector
 Male connector
 Female connector

style
 B
 C
 D
 E
 F
 F/H
 G
 H
 M
 P
 Q
 R
 S
 U
 V
 Z,C

Number of poles
 Number of contacts

Type of contact
 Female
 Male

Termination technique
 Crimp
 Termi-Point
 Press-fit
 Solder
 Fast-on
 Wire wrap
 without

Position of the pre-mating contact

Termination pin's surface
 AU Gold
 AG Silver
 NI Nickel
 SN Tin

Performance level
 1 500 contact durability
 2 400 contact durability
 3 50 contact durability

Type of termination
 A For soldering into PCB's up to 1.6 mm thick
 D For soldering into PCB's up to 1.6 mm thick
 E For soldering into PCB's up to 2.4 mm thick
 F For soldering into PCB's up to 2.4 mm thick
 H For wire wrap technique to DIN 41611, part 2
 L For SMD-technique
 M For termi-point connection to DIN 41611
 Q For crimp-connection to DIN 41611, part 3
 S For fast-on technique to DIN 46244
 T By screw connection
 U For interfacing
 V For metal plate
 W For soldering wires crimp
 X For ribbon cable connection to DIN 41611
 Y For solid press-fit technique to DIN 41611
 Z For compliant press-fit technique to DIN 41611

Contact surface
 1 Gold or gold alloy
 2 Silver or silver alloy
 3 Tin or tin alloy

Loading and contacts
 B connector housing, unloaded
 C connector housing, loaded
 S single contact

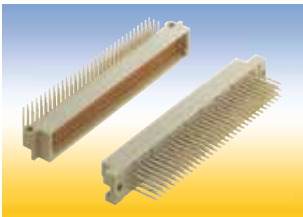
Connectors Styles B, C, D and E



Connectors style B

Ordering details

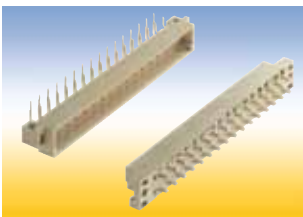
	no.poles: assignment:	064 ab 1...32
	terminations [mm]	order no. 409.
Male connector B MS - C1A - 2 SN	0.6 x 0.6 x 2.9	043 586
Female connector B FS - C1D - 2 SN	0.25 x 0.7 x 2.5	105 380



Connectors style C

Ordering details

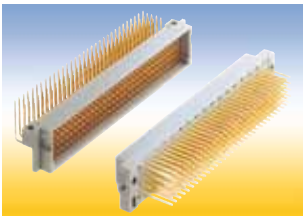
	no.poles: assignment:	032 ac 2...32	064 ac 1...32	096 abc 1...32
	terminations [mm]	order no. 409.	order no. 409.	order no. 409.
Male connector C MS - C1A - 2 SN	0.6 x 0.6 x 2.9	043 598	043 606	043 610
Female connector C FS - C1E - 2 SN	0.25 x 0.7 x 4	-	068 108	068 089
FW - C1H - 2 SN	0.6 x 0.6 x 13	045 891	045 894	045 897



Connectors style D

Ordering details

	no.poles: assignment:	032 ac 2...32
	terminations [mm]	order no. 409.
Male connector D MS - C1A - 2 SN	0.6 x 0.6 x 2.9	043 622
Female connector D FW - C1H - 2 SN	1 x 1 x 20	070 323
FC - B	f. male 0.6 x 0.6	031 022
FC - B	f. male 0.6 x 1/1.5	031 031

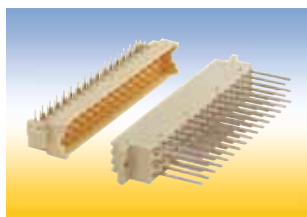


Connectors style E

Ordering details

	no.poles: assignment:	048 row separation 5.08 ace 2...32	048 row separation 2.54 ace 2...32
	terminations [mm]	order no. 409.	order no. 409.
Male connector E MS - C1A - 2 SN	0.6 x 0.6 x 2.9	045 210	045 235
Female connector E FW - C1H - 2 SN	1 x 1 x 20	070 425	-
FW - C1H - 2 SN	0.6 x 0.6 x 13	-	-
FC - B	f. male 1 x 1	031 030	-
FC - B	f. male 0.6x1/1.5	031 021	-

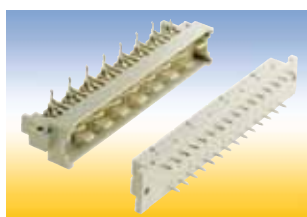
Connectors Styles F, H and R



Connectors style F

Ordering details

	terminations [mm]	no.poles: assignment:	order no. 409.	order no. 409.
Male connector F MS - C1A - 2 SN	0.6 x 0.6 x 2.9	032 zb 2...32	022 622	041 660
Female connector F FW - C1E - 2 SN	1 x 1 x 4.5		070 969	024 567
FW - C1H - 2 SN	1 x 1 x 22		042 219	042 218
FC - B	f. male 0.6x1/1.5		-	031 015



Connectors style H

Ordering details

	terminations [mm]	no.poles: assignment:	order no. 409.	order no. 409.
Male connector H MS - C2A - 1 AG z32 at 3.5 mm premating	1.2 x 0.8 x 3.5	011 b 2.5,8...32	098 989	-
MS - C2A - 1 SN z32 at 1.5 mm premating	1.2 x 0.8 x 2.9		-	101 385
MT - C2S - 1 AG b32 at 3.5 mm premating	6.3 x 0.8 x 8		098 986	-
MT - C2S - 1 AG z32 at 1.5 mm premating	6.3 x 0.8 x 8		-	094 628
Female connector H FS - C2E - 1 SN	0.6 x 0.6 x 4.3		098 992	-
FT - C2S - 1 AG	6.3 x 0.8 x 8		098 991	-
FT - C2S - 2 AG	6.3 x 0.8 x 8		-	071 015

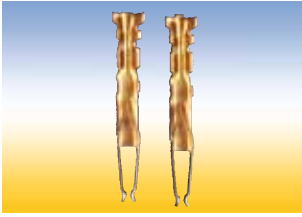


Connectors style R

Ordering details

	terminations [mm]	no.poles: assignment:	order no. 409.	order no. 409.	order no. 409.
Male connector R C1E - 2 SN	0.6 x 0.6 x 4	032 ac 2...32	077 051	077 055	077 058
C1H - 2 SN	0.6 x 0.6 x 13		077 045	074 202	077 048
Female connector R C1A - 2 SN	0.6 x 0.6 x 6		077 038	074 203	077 042

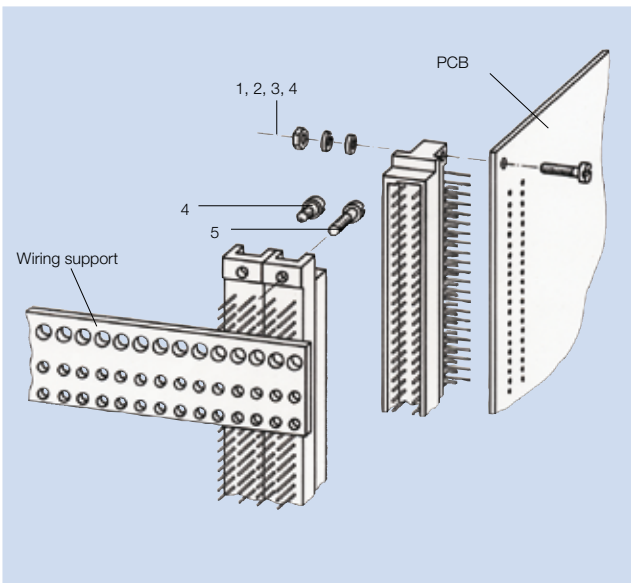
Crimp-Snap-In-Contacts, Crimp-Pliers Accessories for Connectors



Crimp-Snap-In-Contacts for Connectors style C, D, E, and F, Pliers and Unlocking Tool

Ordering details

	for connector style	conductor cross section [AWG]	order no. 409.	Pliers order no. 409.
Crimp-snap-in-male MC - S1Q - 2 NI	F	16 - 18	077 112	035 630
MC - S1Q - 2 NI	F	20 - 24	077 111	035 630
Crimp-snap-in-female for male contact 0.6x1/0.6x1.5 FC - S1Q - 1 SN	D, E, F	16 - 18	031 019	035 630
FC - S1Q - 1 SN	D, E, F	20 - 26	031 018	035 630
FC - S1Q - 1 SN	D, E, F	26 - 28	031 020	031 120
Crimp-snap-in-female for male contact 1 x 1 MC - S3Q - 3 SN	D, E, F	16 - 18	031 024	035 630
MC - S3Q - 3 SN	D, E, F	20 - 26	031 023	035 630
unlocking tool			031 123	-



Mounting of Connectors

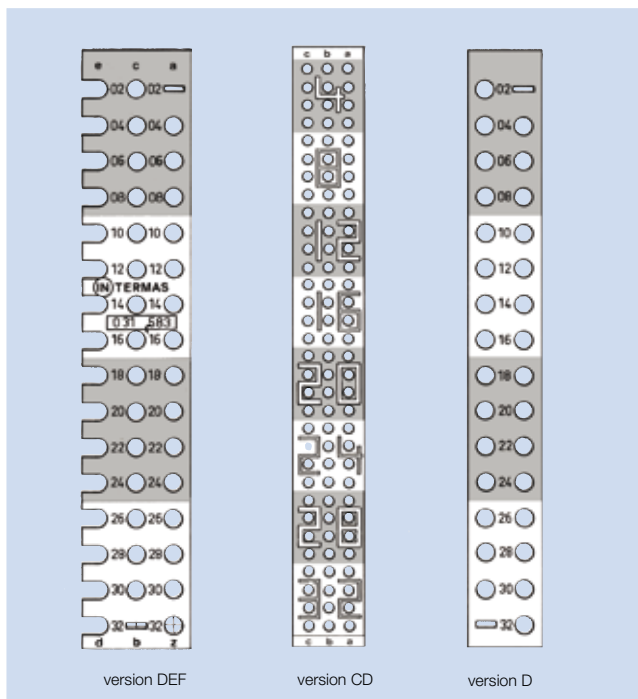
Connectors in accordance to DIN 41612 can be mounted with commercial DIN screws. Using tapered screw, the connectors can be mounted in correct position without any adjustment or alignment.

Ordering details

Minimum order quantity each 100 pieces

	position	order no. 409.
Hexagonal nut M 2.5 DIN439	1	013 938
Spring washer 2.5 DIN 127	2	013 910
Washer 2.7 DIN 433	3	018 028
Pan head screw M 2.5x12 DIN 84	4	013 904
Tapered screw M 2.5 x 6.5	5	032 708
Tapered screw M 2.5 x 9	5	070 476

Accessories for Connectors



Marking Strips

IEC 60603-2 / DIN 41612 provides labeling for connectors on their wiring side. Marking strips, made of thin plastic foil (Astralon), ensure the perfect designation of pin positions.

1. Type *DEF*
for connectors styles D, E and F with pin cross section 1,0 x 1,0 and 0,8 x 1,6 and for connectors with the type of termination V.

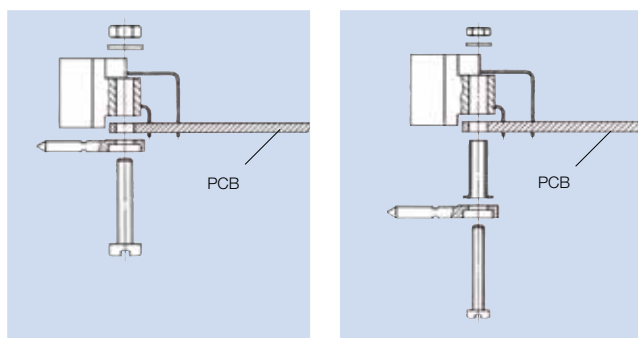
order no.: **409. 031 583**

2. Type *CD*
for connectors styles C and D with pin cross section 0,6 x 0,6 u. 1,0 x 1,0 mm and for connectors with the type of termination V.

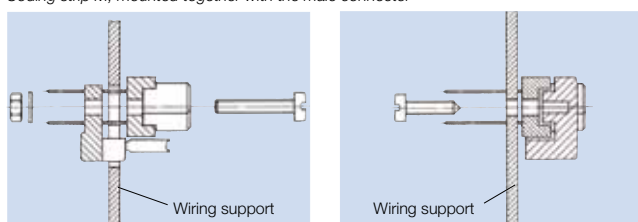
order no.: **409. 022 714**

3. Typ *D*
for connectors style D

order no.: **409. 044 214**



Coding strip M, mounted together with the male connector



Coding strip F, mounted together with the female connector

Coding Strips

The coding strip is designed for attachment to connectors in accordance with IEC 60603-2 / DIN 41612 and is to be mounted together with the connector to the PCB. Also the mating coding part is mounted together with the connector to the wiring support. Each coding strip has 16 coding teeth, that can be broken off as necessary

Ordering details

	order no. 409.
Coding strip M ¹⁾	033 188
Coding strip F ¹⁾	033 189
Coding strip F-plate ^{1) 2)}	070 617
Coding strip F-plate 2 ^{1) 3)}	064 740

1) one functional unit comprises 1 coding strip M and one coding strip F
2) for attaching with self tapping screws
3) attaching at through hole