

Accessories

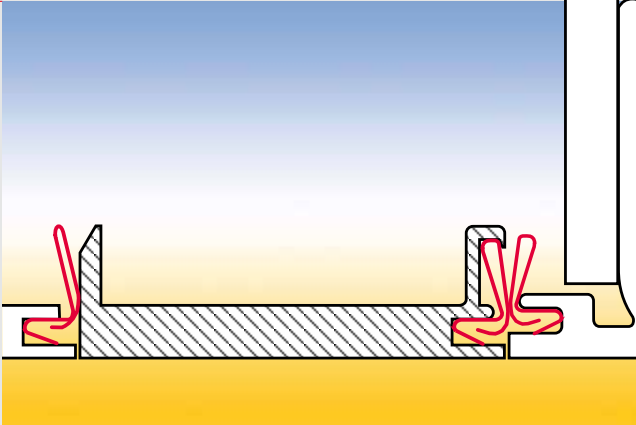
19" Cross-Flow Fan



19" Fan Unit 1 U



RFI Springs



19" Cross-Flow Fan



19" Cross-Flow Fan

For cooling of 160 mm deep modules.

Fan for cooling of 220 mm deep modules on request.

Delivery:

- Cross-flow fan
- Filter mat
- Support grille for filter mat

Technical data

Power plant	current: squirrel-cage motor direct current : non commutator DC motor
Ambient temperature	current: -25 to +65 °C direct current: -25 to +55 °C
Bearings	grooved ball bearing
Life Expectancy	20.000 h
Protection class	IP 10 accordance to DIN 40050
Filter mat	Viledon ZSB/145
Electrical connection	terminal strip on the back
Material	ventilator housing: steel side panel, flange, support grillee, front grillee: plastic
Finish	housing: galvanized and chromated

Ordering details 19" Cross-Flow Fan

	nom. depth [mm]	voltage [V]	frequency [Hz]	blower-output [m/h]	order no.
					409.
for mounting into a cabinet					
EQR -160 KS	160	AC 230	50/60	260	091 833
GQR -160 KS 24 VG	160	DC 24	-	260	091 844
for mounting into a housing					
GQR - 160 KG	160	AC 230	50/60	235	091 834

Accessories

	order no. 409.
Protection grille	091 836
Plastic motor protection hood	091 835
per pack 10 pieces	
Filter mat for EQR and GQR	026 519
Filter mat for GQR -160 KG	026 520

19" Fan Unit 1 U



Technical data

Ambient temperature	max. 70 °C
Max. static pressure	73 - 88 Pa
Noise level per fan	37 - 41 dB (A)
Power consumption	15 / 14 W
Materials	front panel: 3 mm aluminum, anodized housing, grille: 1 mm steel, al-zinc

Ordering details

	depth [mm]	voltage [V]
Fan unit 1U	193	AC 230

19" Fan Unit 1 U

For cooling of modules in cabinets or housings.

Delivery:

- 1 front panel
- 1 housing with grille
- 3 fans
- 1 power connector
- 1 strain-relief

Fan unit with 6 fans and other voltages on request.

frequency [Hz]	blower- output [m/h]	order no. 409.
50/60	162-192	166 274



Technical data

Ambient temperature	max. 65 °C
Max. static pressure	70 Pa
Noise level per fan	max. 45 dB (A)
Power consumption	5.3 W
Materials	Front panel: 3 mm aluminum, anodized housing, front grille: 1 mm steel, al-zinc

Ordering details

	depth [mm]	voltage [V]
Fan unit, 1 U, with speed monitoring and control	193	DC 24

19" Fan Unit, 1 U, with speed monitoring and control

For cooling of modules in cabinets or housings.

Delivery:

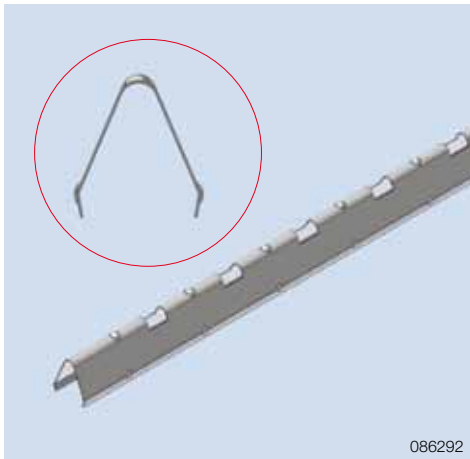
- 1 front panel
- 1 housing with grille
- 3 fans
- 1 connection cable, cable length 2.5 m, open end
- 1 temperature sensor external, NTC resistor, cable length 1.5 m

Technical Data, Control & Monitoring

Switching control range	20 - 40 °C to 30 - 50 °C
Sensor connection	rear plug connection for speed sensor
Signal for	speed < 20 % of the nom. speed; switch-on delay < 4 s, signal delay < 1 s
Signaling	display via LEDs floating contact switching capacity 20 W switching voltage max. 100 V

blower- output [m/h]	order no. 409.
80-170	166 276

RFI Spring A2 and F3



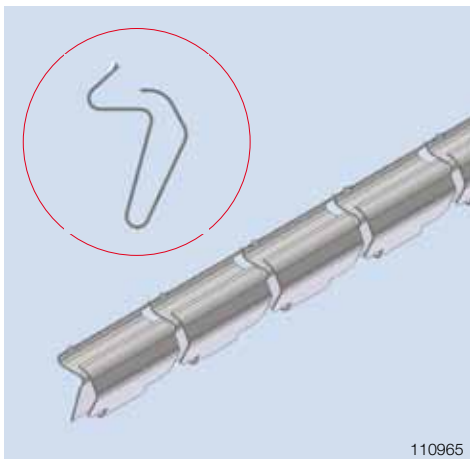
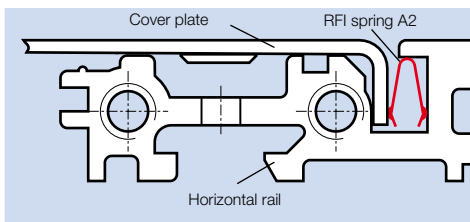
RFI Spring A2

Shielding between the cover plates and the subrack. The spring is snapped into the profile channel of the horizontal rail. It can be cut in 10 mm lengths.

Material: stainless steel, 0.1 mm thick

Ordering details

	nom. width [HP]	length [mm]	order no. 409.
RFI spring A2	36	182	107 724
RFI spring A2	42	217	090 800
RFI spring A2	84	427	085 011



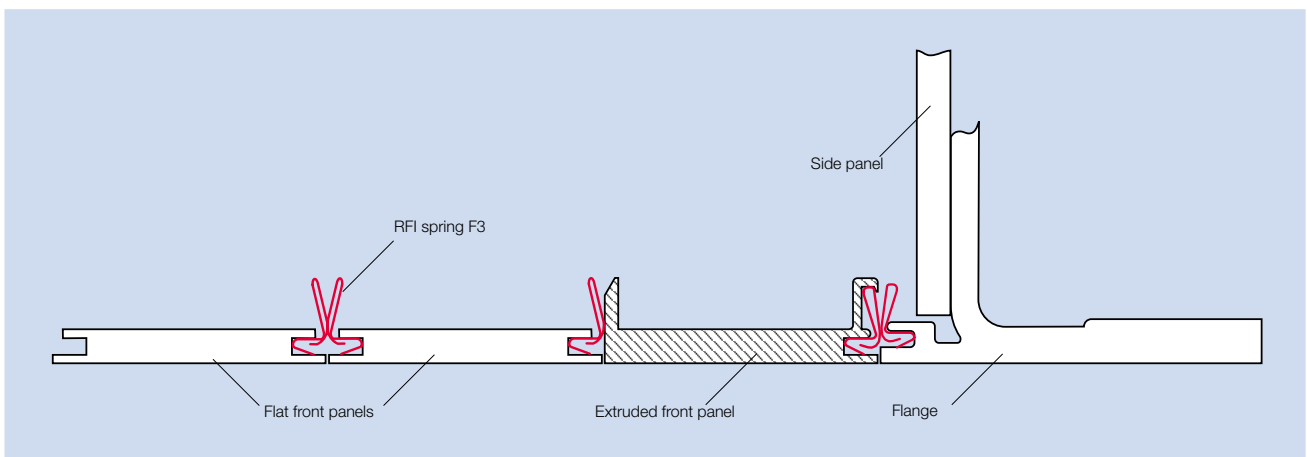
RFI Spring F3

Shielding between the front panels and between front panel and flange as well as shielding the cover plates of the *DiVar* housing. It can be cut in 7.41 mm lengths.

Material: stainless steel, 0.08 mm thick

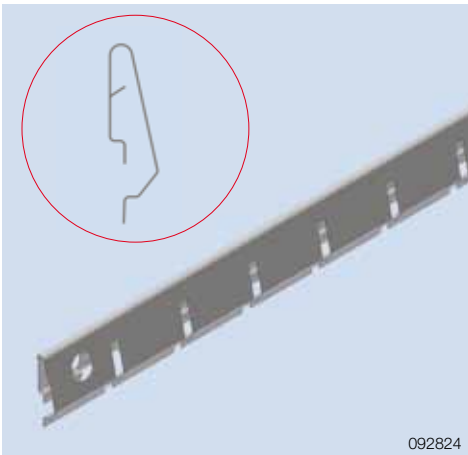
Ordering details

	nom. height [U]	height [mm]	order no. 409.
RFI spring F3-2	2	51.37	112 386
RFI spring F3-3-IEEE	3	95.83	111 112
RFI spring F3-3	3	110.65	111 636
RFI spring F3-4	4	155.11	112 387
RFI spring F3-6-IEEE	6	229.21	111 116
RFI spring F3-6	6	244.03	111 637



Shielding between the front panel and between front panel and flange

RFI Spring F1, Contact Profile and RFI Spring P2



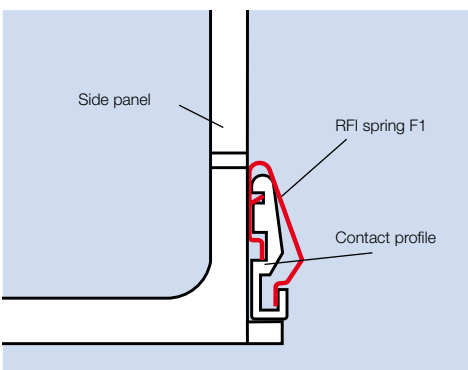
RFI Spring F1

Shielding between the front panel and side panel with the contact profile of the *InterRail* subrack.

Material: CuSn 0.1 mm thick

Ordering details

	nom. height [U]	height [mm]	order no. 409.
RFI spring F1-3	3	106.9	093 400
RFI spring F1-6	6	240.25	093 401



Contact Profile

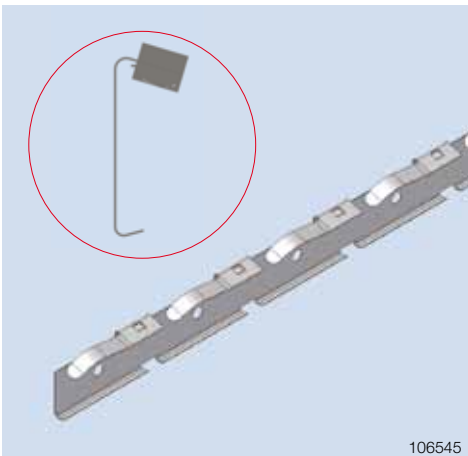
Shielding between front panel and side panel with the RFI spring F1 of the *InterRail* subrack.

Material: aluminum

Finish: colorless chromated

Ordering details

	nom. height [U]	height [mm]	order no. 409.
Contact profile -3	3	107.5	092 923
Contact profile -6	6	240.85	092 924



RFI Spring P2

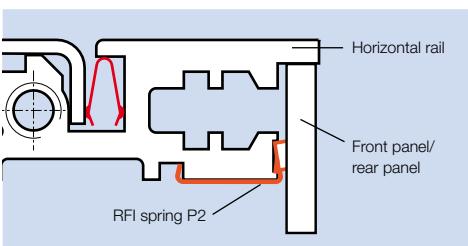
Shielding front panels and rear panel to the horizontal rail.

The spring is snapped into the profile channel of the horizontal rail. It can be cut in 15.24 mm lengths.

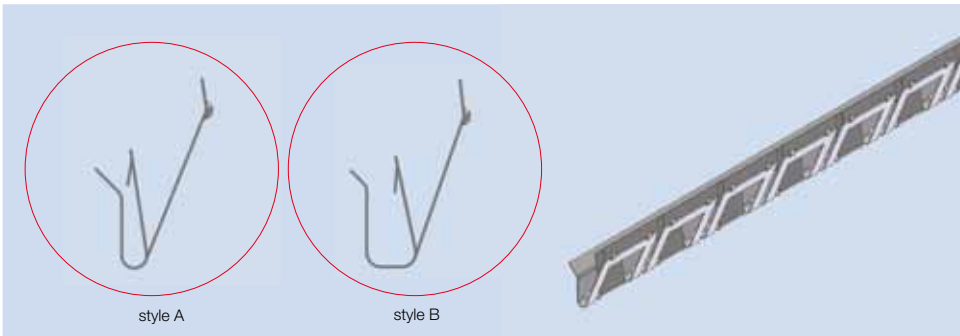
Material: stainless steel, 0.08 mm thick

Ordering details

	nom. width [HP]	length [mm]	order no. 409.
RFI spring P2	42	212.36	106 546
RFI spring P2	84	425.72	106 547



RFI Spring U1 and U2

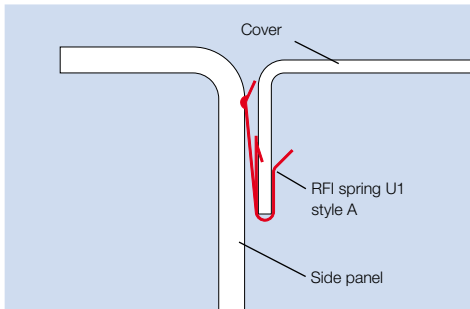


RFI Spring U1
 Multiple applications. Shielding sub racks, housings and cabinets with 1 mm - 2.5 mm sheet thickness. The spring can be cut in 10 mm lengths.

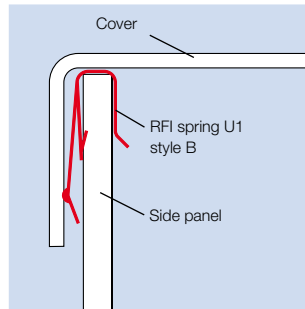
Material:
 stainless steel, 0.1 mm thick

Ordering details

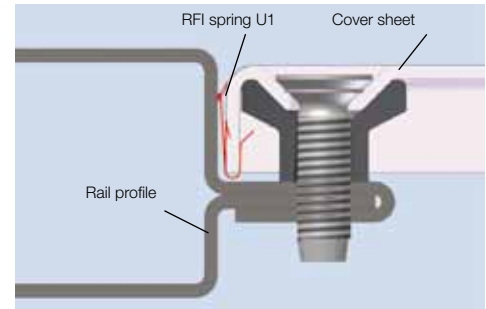
	style	sheet thickness [mm]	length [mm]	order no. 409.
RFI spring U1-1,0-230	A	1.0	229	114 840
RFI spring U1-1,5-400	A	1.5	399	101 830
RFI spring U1-2,0-270	B	2.0	269	107 323
RFI spring U1-2,5-270	B	2.5	269	103 792



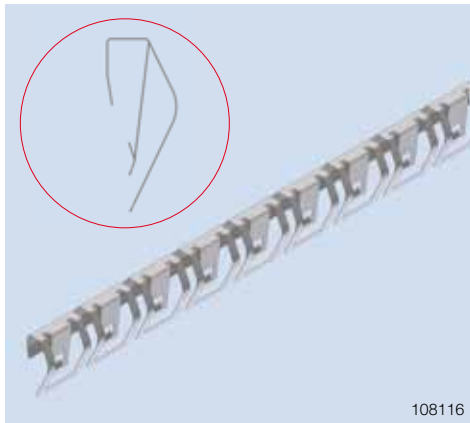
Subrack example of use



Subrack example of use



System cabinet example of use



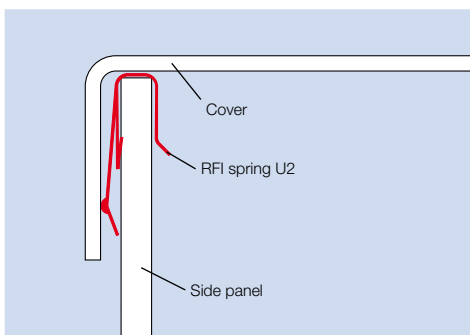
108116

RFI Spring U2
 Multiple applications. Shielding sub racks, housings and cabinets with 2.5 mm sheet thickness. The spring can be cut in 10 mm lengths.

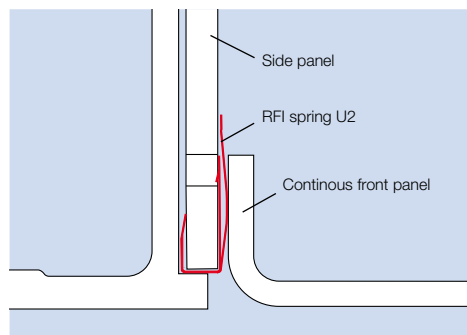
Material: stainless steel, 0.08 mm thick

Ordering details

	sheet thickness [mm]	length [mm]	order no. 409.
RFI spring U2	2.5	98.79	108 107
RFI spring U2	2.5	232.14	108 108
RFI spring U2	2.5	632.19	109 537

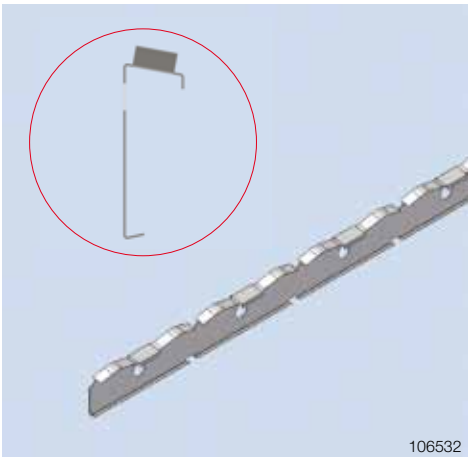


Subrack example of use



Subrack example of use

RFI Spring M-P2, G-A2 and G-P2



RFI Spring M-P2

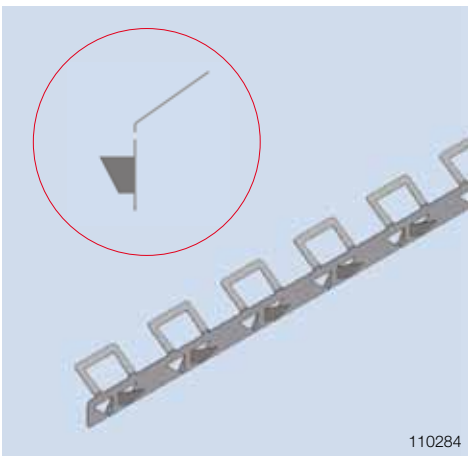
Shielding between side panel and backplane with a mounting strip.
The spring can be cut in 25 mm lengths.

Material: stainless steel, 0.08 mm thick

Dimensions: 85 x 5 mm

Length: 424 mm

order no.: **409. 106 533**



RFI Spring G-A2

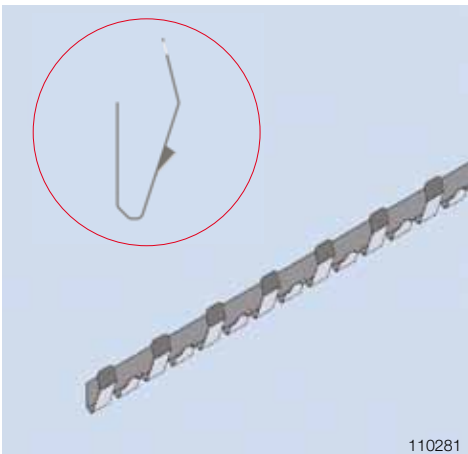
Shielding between the profiles and the cover plates of the
InterMeZo housing.

The spring can be cut in 25 mm lengths.

Material: stainless steel, 0.15 mm thick

Length: 469 mm

order no.: **409. 110 960**



RFI Spring G-P2

Shielding between the door/rear panel and the profile of the
InterMeZo housing.

The spring can be cut in 14.815 mm lengths.

Material: stainless steel, 0.15 mm thick

Length: 471.83 mm

order no.: **409. 111 534**